

## NERLITE® LA-50-1, LA-100-1 & LA-150-1 Linear Illuminators

LA Series Linear Illuminators provide a high intensity "light line" generated from a single row of LEDs. Available in 50, 100 and 150 mm lengths, LA Series modules can be combined to create a linear projection of light of virtually any length.



### Model#Description

RVA:0106541	□ □	LA-50-1, R LED
		0 = ND, 1 = D, 2 = LW.2"@.5", 4 = LW.25"@.5"
		0 = 12V-C, 1 = 24V-C, 2 = 24V-S
RVA:0106541	□ □	LA-50-1, W LED
		0 = ND, 1 = D, 2 = LW.2"@.5", 4 = LW.25"@.5"
		3 = 12V-C, 4 = 24V-C, 5 = 24V-S
RVA:0106543	□ □	LA-100-1, R LED
		0 = ND, 1 = D, 2 = LW.2"@.5", 4 = LW.25"@.5"
		0 = 12V-C, 1 = 24V-C, 2 = 24V-S
RVA:0106543	□ □	LA-100-1, W LED
		0 = ND, 1 = D, 2 = LW.2"@.5", 4 = LW.25"@.5"
		3 = 12V-C, 4 = 24V-C, 5 = 24V-S
RVA:0106545	□ □	LA-150-1, R LED
		0 = ND, 1 = D, 2 = LW.2"@.5", 4 = LW.25"@.5"
		0 = 12V-C, 1 = 24V-C, 2 = 24V-S
RVA:0106545	□ □	LA-150-1, W LED
		0 = ND, 1 = D, 2 = LW.2"@.5", 4 = LW.25"@.5"
		3 = 12V-C, 4 = 24V-C, 5 = 24V-S

### Mechanical:

	LA-50-1	LA-100-1	LA-150-1
<b>L x W x H (mm/in.):</b>	56.1 x 15.2 x 19.1 / 2.21 x 0.60 x 0.75	106.9 x 15.2 x 19.1 / 4.21 x 0.60 x 0.75	157.7 x 15.2 x 19.1 / 6.21 x 0.60 x 0.75
<b>Weight:</b>	78 grams (2.6 oz.)	105 grams (3.7 oz.)	136 grams (4.8 oz.)
<b>Mounting:</b>	← (2) M3 x .19" deep →		
<b>Housing Material:</b>	← Black Anodized Aluminum →		

### Environmental:

<b>Max. Operating Humidity</b>	95% non-condensing
<b>Operating Temp.</b>	40 °C (104 °F)
<b>Storage Temp.</b>	50 °C (122 °F)

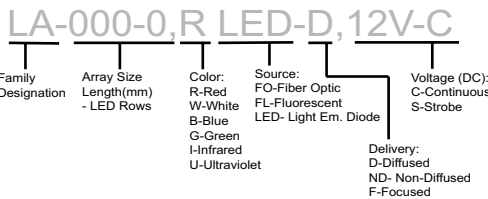
### Accessories:

Part #	Description	Models Used On
RVA:010500301	CPS-12 3.5A, 12VDC, US Cord	12V-C
RVA:010500303	CPS-12 3.5A, 12VDC, EU Cord	12V-C
RVA:010501402	CPS-24, 24VDC, US Cord	24V-S <sup>1</sup>
RVA:010501401	CPS-24, 24VDC, EU Cord	24V-S <sup>1</sup>
RVA:010502601	CPS-24T, 24VDC US w/9-pin D-sub	24V-C & 24V-S <sup>1</sup>
RVA:010502602	CPS-24T, 24VDC EU w/9-pin D-sub	24V-C & 24V-S <sup>1</sup>
RVA:010502700	ICM-1, M/D Intensity Cntrl, 12V-C	12V-C
RVA:010502701	ICM-1, M/D Intensity Cntrl, 24V-C	24V-C
RVA:010502702	SCM-1, 1 Channel M/D Strobe Cntrl.	24V-S
RVA:010901900	SCM-2, 2 Channel Strobe Cntrl.	24V-S
RVA:010503500	VPS-II, 2 Ch. Variable PS, US Cord	12V-C
RVA:010503501	VPS-II, 2 Ch. Variable PS, EU Cord	12V-C
RVA:030003702	Ext. Cable, Cont., 1.8 M (6 ft.)	12V-C & 24V-C
RVA:030003703	Ext. Cable, Cont., 3.0 M (10 ft.)	12V-C & 24V-C
RVA:030003601	Y cable, 2 Lights, 9 pin D-sub Cont.	12V-C & 24V-C
RVA:030007006	Ext. Cable, Strobe, 1.8 M (6 ft.)	24V-S
RVA:030007010	Ext. Cable, Strobe, 3.0 M (10 ft.)	24V-S
RVA:030006900	Y cable, 2 Lights, 9 pin D-sub Strb.	24V-S

<sup>1</sup>RVA: 01050140x used only with RVA:010901900;

RVA:01050260x used with either RVA:010502702 or 24V-C lights with DB-9 connectors

### Description Key Example



### Illumination & Electrical:

#### Lighting Technique:

Linear; Dark-field or Bright-field

#### Illuminated Area (mm/in.):

LA-50-1	LA-100-1	LA-150-1
51.0 x 8.9 / 2.01 x 0.35	101.8 x 8.9 / 4.01 x 0.35	152.6 x 8.9 / 6.01 x 0.35

#### Stand-Off<sup>1</sup>:

12.7 mm (0.5 in.)

#### Light Characteristics<sup>2</sup>:

Voltage/Current (mA); max. cont., peak strobe)

Source	Color (nm)	Exp. Life	Model: LA-								
			12V-C			24V-C			24V-S		
LED	Red (660)	50k hrs.	42	84	126	23	46	69	400	800	1200
LED	White - 6500 Kelvin	10k hrs.	80	160	240	40	80	120	800	1600	2400

### CE Conformity:

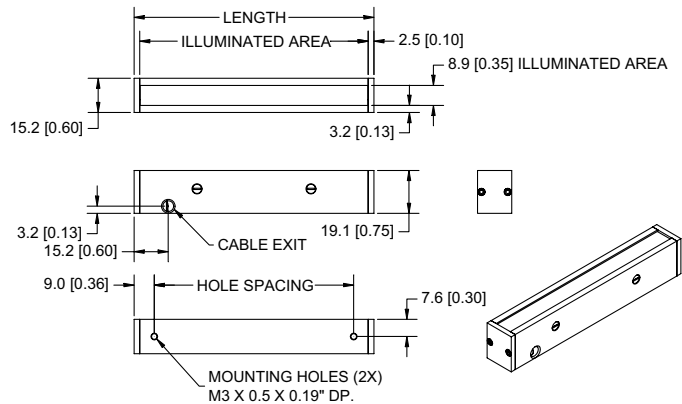
Yes

<sup>1</sup> Suggested; diffused & non-diffused models; see model # descriptions above for focused unit line widths (LW) @ 0.5" standoff. See chart at <http://www.nerlite.com/pdf/techrefs/la-series-fl.pdf> for details.

<sup>2</sup> Custom models available in additional color/voltage combinations; see LA-Series custom model specifications at <http://www.nerlite.com/pdf/la-series-custom-models.pdf>

### Cables/Connectors:

Connector	Length	Pin#	1	2	3	4	5	6	7	8	9
<b>12V-C Models</b>	9 pin D-sub Male	2.0 M (6.6 ft.)	n/a	n/a	GND	+12VDC	n/a	n/a	n/a	n/a	n/a
<b>24V-S Models</b>	9 pin D-sub Male	2.0 M (6.6 ft.)	V-	n/a	n/a	+24VDC	n/a	n/a	n/a	n/a	n/a
<b>24V-C Models</b>	9 pin D-sub Male	2.0 M (6.6 ft.)	n/a	n/a	n/a	n/a	n/a	n/a	+24VDC	n/a	GND



TABULATION	LENGTH	ILLUMINATED AREA	HOLES SPACING
RVA:0106541XX	2.21	2.01	1.50
RVA:0106543XX	4.21	4.01	3.50
RVA:0106545XX	6.21	6.01	5.50

NERLITE LA-Series 030306